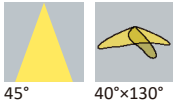


## Datasheet DFY Series

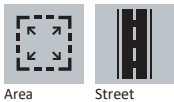
### Available Distribution



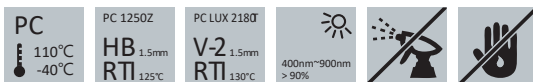
### LED



### Recommand Applications



### General Information



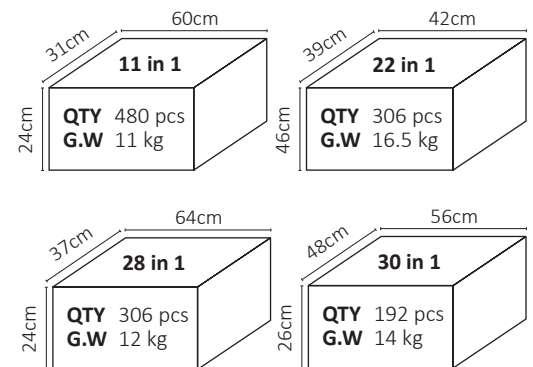
- Lens Material      L19: PC L-1250Z 100 / L52: PC LUX2180T
- Operating Temperature      -40°C~+110°C
- UL Flammability      L19:HB / L52:V-2@1.5mm
- UL RTI Elec      L19:125°C / L52:130°C @1.5mm
- Light Transmission Rate      400nm~900nm > 90%
- ☑ If necessary, Clean lenses with mild soap, water and soft cloth.
- ⚠ Never use any commercial cleaning solvents on lenses, like alcohol.
- 🧤 Please handle or install lenses with wearing gloves, skin oils may damage lens or its optical characteristic.

### Dimensions

Part Number	LxW	Height
LL11SE-DFY40130Lxx-W	82x62	7.9
LL22SE-DFY40130Lxx-W	109x119	9.5
LL28SE-DFY40130Lxx-W	100x100	9.1
LL30SE-DFY45L52-W	204x84	8.9

\*All dimensions are in millimeters.

### Packaging Details (SPQ)



### Accessories



- Available with Waterproof Gasket  
LL01A00SZX2 (LL28SE-DFY40130Lxx-W)

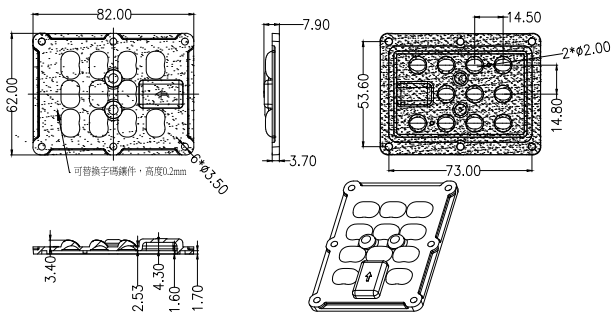
# Mechanical Specification

\*All dimensions are in millimeters.

## Lens Dimension



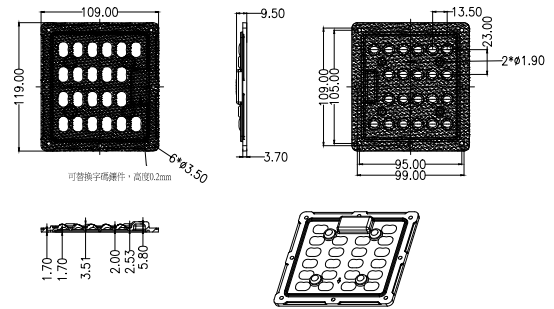
LL11SE-DFY40130Lxx-W



## Lens Dimension



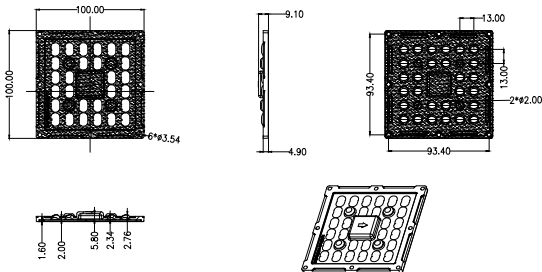
LL22SE-DFY40130Lxx-W



## Lens Dimension



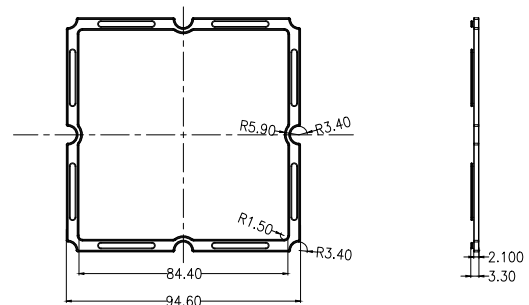
LL28SE-DFY40130Lxx-W



## Waterproof Gasket Dimension



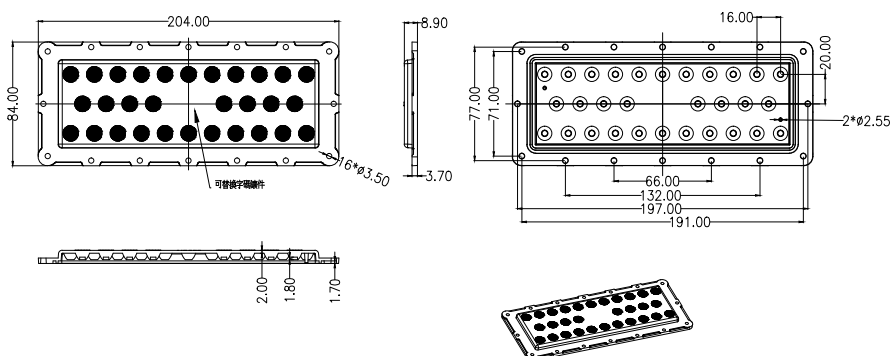
LL01A00SZX2



## Lens Dimension



LL30SE-DFY45L52-W



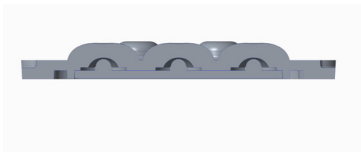
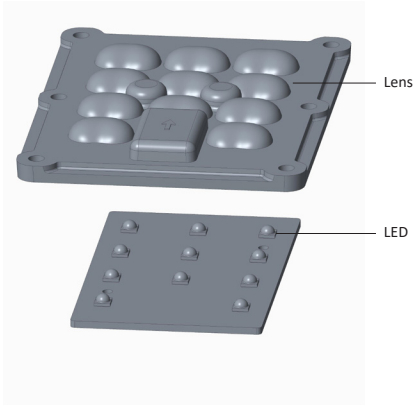
# Mechanical Specification

\*All dimensions are in millimeters.

## Assembly Instruction

Part No LL11SE-DFY40130Lxx-W  
LL22SE-DFY40130Lxx-W  
LL30SE-DFY45L52-W

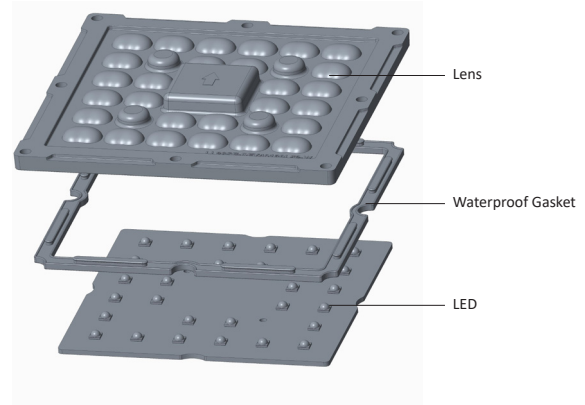
### Fixing Method



## Assembly Instruction

Part No LL28SE-DFY40130Lxx-W  
Waterproof Gasket LL01A00SZX2

### Fixing Method



# Photometric Distribution

LL11SE-DFY40130Lxx

## Distribution

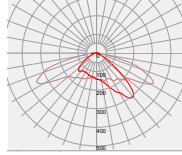
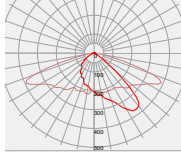


**CREE**  
XP-G3



**SAMSUNG**  
LH351B

40°x130°



LL22SE-DFY40130Lxx

## Distribution



**CREE**  
XP-G3



**SAMSUNG**  
LH351B

40°x130°

-



LL28SE-DFY40130Lxx

## Distribution

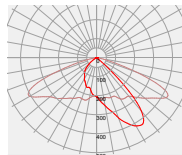
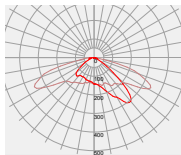


**CREE**  
XP-G3



**SAMSUNG**  
LH351B

40°x130°



LL30SE-DFY45L52-W

## Distribution

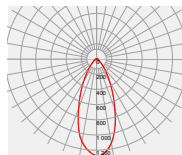
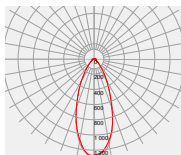


**CREE**  
XP-G3





**SAMSUNG**  
LH351B

45°





# Details by LED

Part No	Waterproof Gasket	LED Package Size	LED
LL11SE-DFY40130Lxx-W LL22SE-DFY40130Lxx-W LL30SE-DFY45L52-W	-	3535	  <b>CREE</b> XP-G3 <b>SAMSUNG</b> LH351B

LL28SE-DFY40130Lxx-W



LL01A00SZX2

LED	Part No	Type	FWHM	cd / lm	IES
 <b>CREE</b> XP-G3	LL11SE-DFY40130L19-W	II-Short	55°×147°	0.5	<a href="#">↓</a>
	LL11SE-DFY40130L52-W	II-Short	55°×147°	0.5	<a href="#">↓</a>
	LL22SE-DFY40130L19-W	-	-	-	-
	LL22SE-DFY40130L52-W	-	-	-	-
	LL28SE-DFY40130L19-W	II-Short	40°×150°	0.5	<a href="#">↓</a>
	LL28SE-DFY40130L52-W	II-Short	40°×150°	0.5	<a href="#">↓</a>
 <b>SAMSUNG</b> LH351B	LL30SE-DFY45L52-W	-	42°	1.2	<a href="#">↓</a>
	LL11SE-DFY40130L19-W	I-Short	39°×137°	0.5	<a href="#">↓</a>
	LL11SE-DFY40130L52-W	I-Short	39°×137°	0.5	<a href="#">↓</a>
	LL22SE-DFY40130L19-W	II-Short	44°×139°	0.5	<a href="#">↓</a>
	LL22SE-DFY40130L52-W	II-Short	44°×139°	0.5	<a href="#">↓</a>
	LL28SE-DFY40130L19-W	I-Short	43°×141°	0.5	<a href="#">↓</a>
	LL28SE-DFY40130L52-W	I-Short	43°×141°	0.5	<a href="#">↓</a>
LL30SE-DFY45L52-W	-	42°	1.2	<a href="#">↓</a>	

## Product Nomenclature

Ledlink      Led Type      Lens Angle  
LL 11 SE- DFY 40130 L19  
Lens Dot Number      Serial Number      Type of Material

### Ledlink Optics, Inc Taiwan HQ

15F, No.655, Bannan Rd., Chung-Ho Dist.,  
New Taipei City, Taiwan 235

### Ledlink Optics (Dongguan) Co., Ltd Dongguan Factory

No.5, TianKeng Industrial Dist., HengLiTown, DongGuan City,  
GuangDong Province, China 523478

### Ledlink Optics (Yangzhou) Co., Ltd Yangzhou Factory

No.180, LinJiang Rd., YangZhou City, Jiangsu Province, China 225009

[www.ledlink-optics.com](http://www.ledlink-optics.com)

[service@ledlink-optics.com](mailto:service@ledlink-optics.com)

